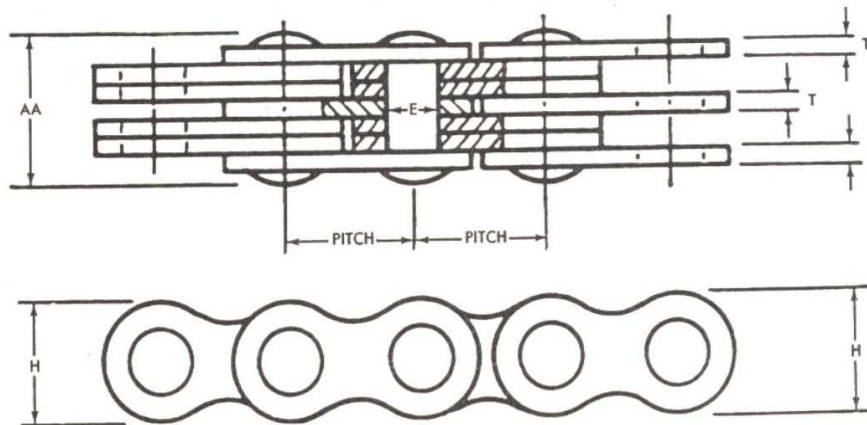


LEAF CHAIN



TYPE B – Heavy Series



Rex Leaf Chain, sometimes called cable chain or balance chain, can be used for practically any application requiring a strong, flexible linkage for transmitting reciprocating motion, or lift, rather than rotative power. It can transmit force of a relatively high magnitude at relatively low speed, and combines high strength, short pitch, adequate bearing area, long life, and low cost. It is especially well-suited for use on hydraulic-lift trucks operated widely in industry. It serves as excellent tension linkages for counterweights of heavy machine tools, shapers, grinders, multi-spindle drills, etc.

Construction and materials. Leaf chain is built of interlaced plates held together by riveted pins. Pins and plates are manufactured from medium-carbon steel and heat treated for toughness.

The ANSI Series leaf chain is Type B (Heavy) Series. Made on a repetitive basis and generally available, it is characterized by link plates having the contour and pitch of the roller link plate of the equivalent pitch ANSI standard roller chain but the thickness of the next larger pitch ANSI standard roller chain. It consists of both odd and even lacings and its nomenclature indicates type, pitch and lacing. A "BL" prefix is used followed by three or four digits. The last two digits indicate the lacing combination (2x2, 2x3, etc.) while the digit(s) to the left indicates pitch in 1/8-inch increments.

Made-to order leaf chains include Type A (Light) Series. Type A

consists of plates having contour, pitch and thickness of the pin plates of the equivalent pitch ANSI standard roller chain. Its pin diameter is identical to that of the equivalent pitch ANSI standard roller chain. Like the Heavy Series, the nomenclature for the Light Series includes an "AL" prefix, one or two digits to indicate the pitch in 1/8-inch increments and two digits to indicate the lacing. Light Series chains are only made with even lacings.

Nonstandard Leaf Chains are also available on a made-to-order basis. They are built with the same precision and high-grade materials as ANSI standard leaf chains but do not conform to the ANSI standard dimensions. It is strongly recommended that, whenever possible, standard B series leaf chains be used for new installations.

Selection

Since the Selection of leaf chain is based on many external variables all of which have a determining role in the wear and fatigue strength of the chain, selections of leaf chains is not included in this catalog. Please consult Rex-nord for recommendations for all selection and application information.

Key to Lacing Combinations

Lacing Combinations									
2x2	2x3	N2x3	3x4	N3x4	4x4	4x5	4x6	6x6	8x8

Note: Dimensions subject to change. Certified dimensions of ordered material furnished on request.