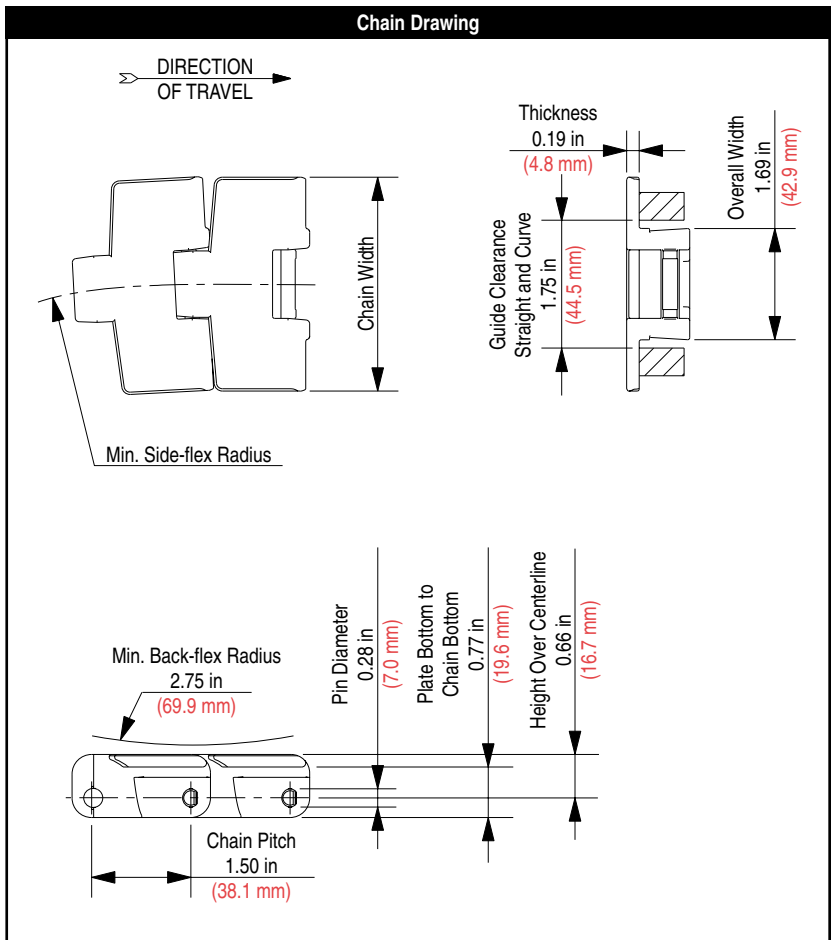




Chain is shown in Low Friction (LF) material.



Chain Information

desc	Chain Width		Min. Side-flex Radius		Approximate Weight	
	in	mm	in	mm	lbs/ft	kg/m
3-1/4	3.25	82.6	18.00	457.2	0.78	1.16
4-1/2	4.50	114.3	18.00	457.2	0.88	1.31
7-1/2	7.50	190.5	18.00	457.2	1.20	1.78

Available Materials

Prefix	Chain Material	Standard Pin Material	Temperature						Chain Strength		FDA Approval
			Fahrenheit			Celsius					
			min	max		min	max		lbs	N	
				dry	wet		dry	wet			
AS	Anti-Static	Stainless Steel	0	+180	+150	-18	+82	+66	255	1,134	-
D	Plain Acetal	Stainless Steel	-40	+180	+150	-40	+82	+66	425	1,890	✓
WD	White Plain Acetal	Stainless Steel	-40	+180	+150	-40	+82	+66	425	1,890	✓
FR	Flame Retardant	Stainless Steel	0	+180	+140	-18	+82	+60	255	1,134	-
HP™	High Performance	Stainless Steel	-40	+180	+150	-40	+82	+66	425	1,890	✓
WHP	White High Performance	Stainless Steel	-40	+180	+150	-40	+82	+66	425	1,890	✓
LF	Low Friction	Stainless Steel	-40	+180	+150	-40	+82	+66	425	1,890	✓
WLF	White Low Friction	Stainless Steel	-40	+180	+150	-40	+82	+66	425	1,890	✓
P	Chemical Resistant	Stainless Steel	0	+180	+140	-18	+82	+60	340	1,512	✓
DUV	Ultraviolet Resistant	Stainless Steel	0	+180	+150	-18	+82	+66	425	1,890	-

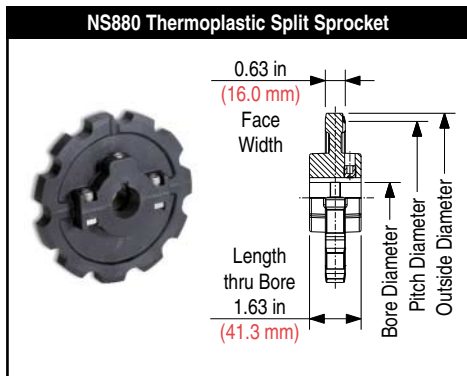
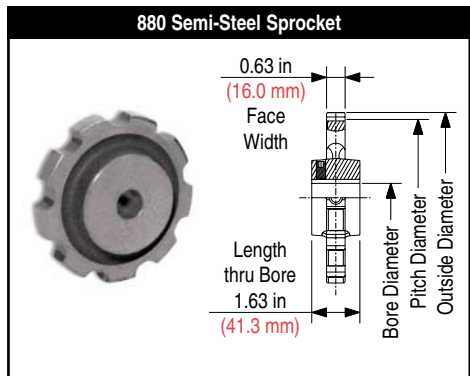
Standard materials are highlighted. All other materials are available on a made-to-order basis. Chain strength is listed at room temperature. NR = Not Recommended.

Regulatory Information

The Food and Drug Administration (FDA) accepts certain materials for direct food contact. FDA approved material is compliant to FDA 21 CFR § 177.

Rexnord, Rex, TableTop, HP, LPC and LPC279 are trademarks of Rexnord Corporation. All rights reserved.

- ### Additional Notes
1. Stocked in 80 pitch, 10 ft (3.048 m) length strands.
 2. Thermoplastic pins are available on a made-to-order basis.
 3. High performance (HP™) material is offered for the 7-1/2 in (190.5 mm) width only.
 4. Low Pin Centerline (LPC™) chain is retained in the corners without the use of bevels, TABs or magnets, and can be lifted vertically out of the corners for cleaning and/or maintenance.



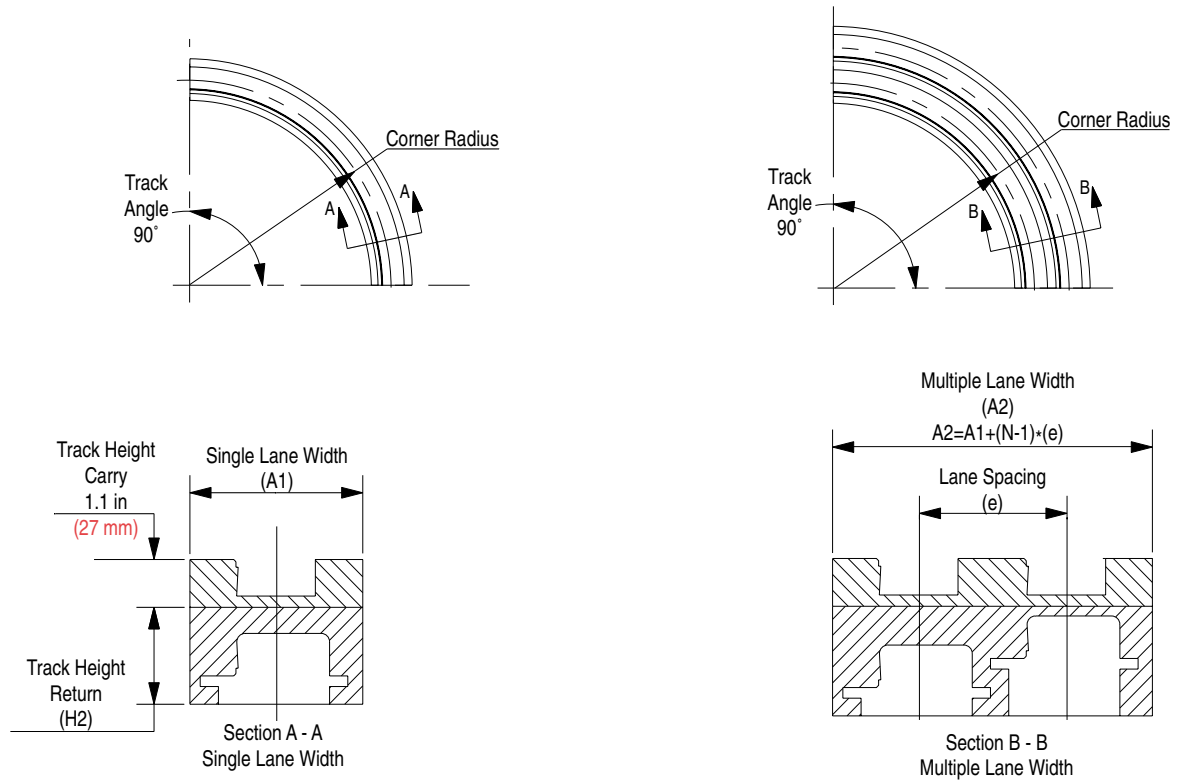
880 Semi-Steel Sprocket Information																			
Number of Teeth		Pitch Diameter		Outside Diameter		Bore Diameter (Shaft-Ready)								Bore Diameter (Round)				Approximate Weight	
						Round				Square				in		mm			
						in	mm	min	max	min	max	min	max	min	max	min	max		
actual	effect	in	mm	in	mm	min	max	min	max	min	max	min	max	min	max	min	max	lbs	kg
9	9	4.386	111.40	4.33	110.0	3/4	1-3/8	20	35	-	-	-	-	3/4	2-1/4	20	55	2.87	1.30
10	10	4.854	123.29	4.82	122.4	3/4	1-1/4	20	30	-	-	-	-	3/4	1-3/4	20	40	3.09	1.40
11	11	5.324	135.23	5.31	134.9	3/4	1-3/8	20	35	-	-	-	-	3/4	2-1/4	20	55	3.31	1.50
12	12	5.796	147.22	5.80	147.3	3/4	1-3/8	20	35	-	-	-	-	3/4	2-1/4	20	55	3.53	1.60
15	15	7.215	183.26	7.26	184.4	3/4	1-3/8	20	35	-	-	-	-	3/4	2-1/4	20	55	4.19	1.90

Shaft-ready round bores are shipped with keyway and setscrews. Metric shaft-ready round bores are shipped with metric hardware, but without setscrews.

NS880 Thermoplastic Split Sprocket Information																			
Number of Teeth		Pitch Diameter		Outside Diameter		Bore Diameter (Shaft-Ready)								Bore Diameter (Idler)				Approximate Weight	
						Round				Square				in		mm			
						in	mm	min	max	min	max	min	max	min	max	min	max		
actual	effect	in	mm	in	mm	min	max	min	max	min	max	min	max	min	max	min	max	lbs	kg
11	11	5.324	135.23	5.30	134.6	1	1-5/8	25	40	-	-	-	-	1	1-3/4	25	45	0.66	0.30
12	12	5.796	147.22	5.80	147.3	1	1-3/4	25	45	-	-	-	-	1	1-3/4	25	45	0.82	0.37

Shaft-ready round bores are shipped with keyway and setscrews. Metric shaft-ready round bores are shipped with metric hardware, but without setscrews. Idler bores are designed to spin freely on the shaft without keyway or setscrews.

Corner Track (One Piece)



Corner track number supplied as one 90° inside and one 90° outside track, which can be used as either carry or return.

All one piece corner tracks are available on a made-to-order basis.

Corner tracks are available in UHMWPE (black) material.

For LPC™ 279 chain only.

Corner Track Number	Chain Width		Corner Radius		Single Lane Width (A1)		Multiple Lane Width (A2)		Lane Spacing (e)		Track Height Return (H2)		Number of Lanes (N)	Approximate Weight	
	in	mm	in	mm	in	mm	in	mm	in	mm	in	mm		lbs	kg
KLPC013457-1	3-1/4	82.6	18.0	457	3.9	100	-	-	3.9	90	2.2	55	1	15.08	6.84
KLPC013457-2							7.9	200			2	32.68	14.82		
KLPC013457-3							11.8	300			3	49.02	22.24		
KLPC013457-4							15.8	400			4	65.36	29.65		
KLPC013610-1			24.0	610	4.9	125	-	-	2.2	55	1	20.11	9.12		
KLPC013610-2							7.9	200	2	43.57	19.76				
KLPC013610-3							11.8	300	3	65.36	29.65				
KLPC013610-4							15.8	400	4	87.15	39.53				
KLPC018457-1	4-1/2	114.3	18.0	457	4.9	125	-	-	4.7	120	2.2	55	1	18.83	8.54
KLPC018457-2							9.6	245			2	39.98	18.13		
KLPC018457-3							14.4	365			3	59.55	27.01		
KLPC018457-4							19.1	485			4	79.13	35.89		
KLPC018610-1			24.0	610	4.9	125	-	-	2.2	55	1	25.11	11.39		
KLPC018610-2							9.6	245	2	53.31	24.18				
KLPC018610-3							14.4	365	3	79.41	36.02				
KLPC018610-4							19.1	485	4	105.50	47.85				
KLPC030457-1	7-1/2	190.5	18.0	457	7.9	200	-	-	7.7	195	2.2	55	1	30.12	13.66
KLPC030457-2							15.6	395			2	64.49	29.25		
KLPC030610-1							-	-			2.2	55	1	79.35	35.99
KLPC030610-2							15.6	395			2	85.99	39.00		
KLPC030762-1			30.0	762	7.9	200	-	-	2.2	55	1	99.19	44.99		
KLPC030762-2							15.6	395	2	107.48	48.75				