

■ LIVE ROLLER CHAIN

NOW MANUFACTURED AT THE ENGINEERED CHAIN OPERATION!

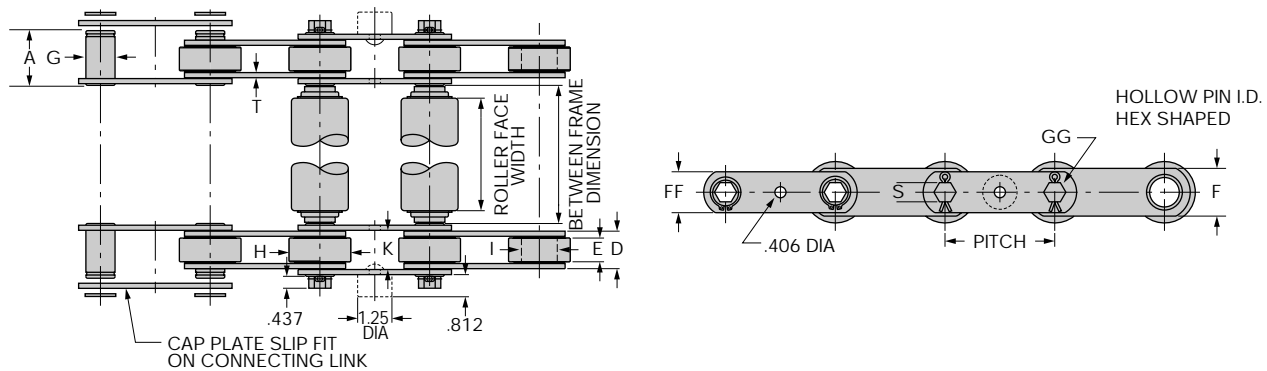
Rex® Live Roller Conveyor Chains are precision conveyor carrier roller chains which may be combined with quiet running Rex Whisperol polymeric rollers or with standard hexagonal axle conveyor rollers.

The conveyor chain's special Rexnord engineered hexagonal shaped hollow pin allows the chain to accept standard size hexagonal axles offered on conveyor rollers.

The combination of precision conveyed carrier roller chain and the free turning conveyor rollers produces a heavy duty roller flight conveyor which can be used as an accumulating and minimum pressure conveyor.

The combination of Rex live roller conveyor chain with conveyor rollers is ideally suited for conveyor lines handling items which must be blocked, stopped or accumulated without stopping the conveyor.

The conveyed object, which is carried directly on the conveyor rollers, can be halted for accumulation, assembly or inspection at any location on the conveyed line. Because the conveyor rollers are free turning, line pressure is held to a minimum allowing fragile items, such as furniture, sub-assemblies, and light cartons, to be conveyed or accumulated without fear of damage.



Dimensions are in inches. Loads and weights are in pounds.

Rex Chain No.	Average Pitch	Rated Working Load	Average Weight	Overall Pin	Conn. End to Center Line	Rivet End to Center Line	Between Sidebar	Thru-Hardened Sidebars				Carburized Pins		Carburized Rollers		Carburized Bushings		Sprocket Unit No.
								Thickness		Height		O. D.	Hex	Face Width	O. D.	Length	O. D.	
								Pin Link	Roller Link	Pin Link	Roller Link							
A	B	C	K	T	TT	FF	F	G	GG	E	H	D	I					
RF3007	3.000	4,000	3.9	1.78	.94	.81	1.18	.16	.19	1.13	1.31	.75	7/16	.75	1.75	1.16	.94	RF3007
RF4007	4.000	4,000	3.4	1.78	.94	.81	1.18	.16	.19	1.13	1.31	.75	7/16	.75	1.75	1.16	.94	RF4007
RF3011	3.000	5,000	6.9	2.13	1.16	.97	1.41	.19	.19	1.50	1.75	1.06	11/16	.97	2.25	1.38	1.31	RF3011
RF4011	4.000	5,000	5.7	2.13	1.16	.97	1.41	.19	.19	1.50	1.75	1.06	11/16	.97	2.25	1.38	1.31	RF4011

NOTE: Shaft extension for any live roller chain is A + 0.437.

Chains are normally in stock.

Sidebars are thru-hardened; bushings are carburized.